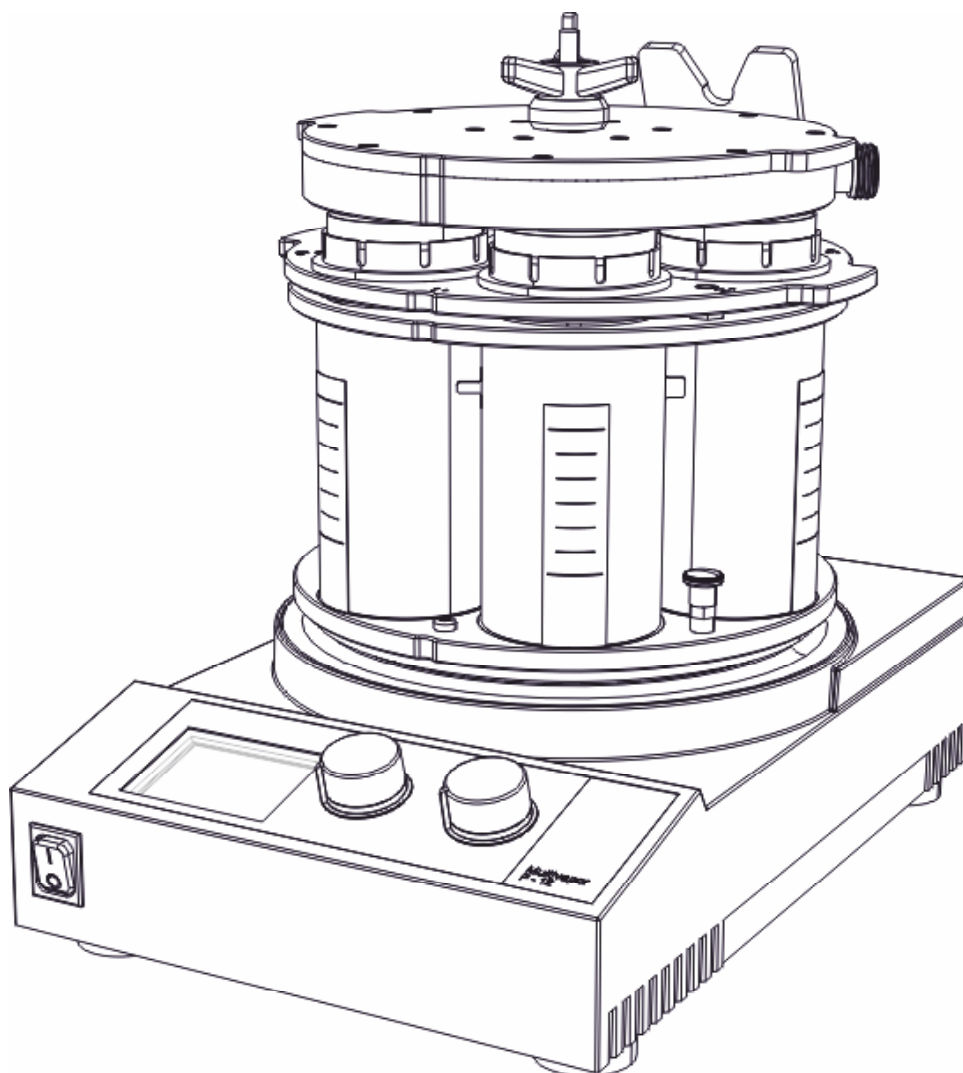




Multivapor™

Technical Data Sheet

The Multivapor™ is a compact 6 or 12 position parallel vortex evaporator, designed to optimize existing personal process workflows. Achieves high efficiency for multiple sample evaporation at an impressive small footprint and an easy operation.



Scope of Delivery

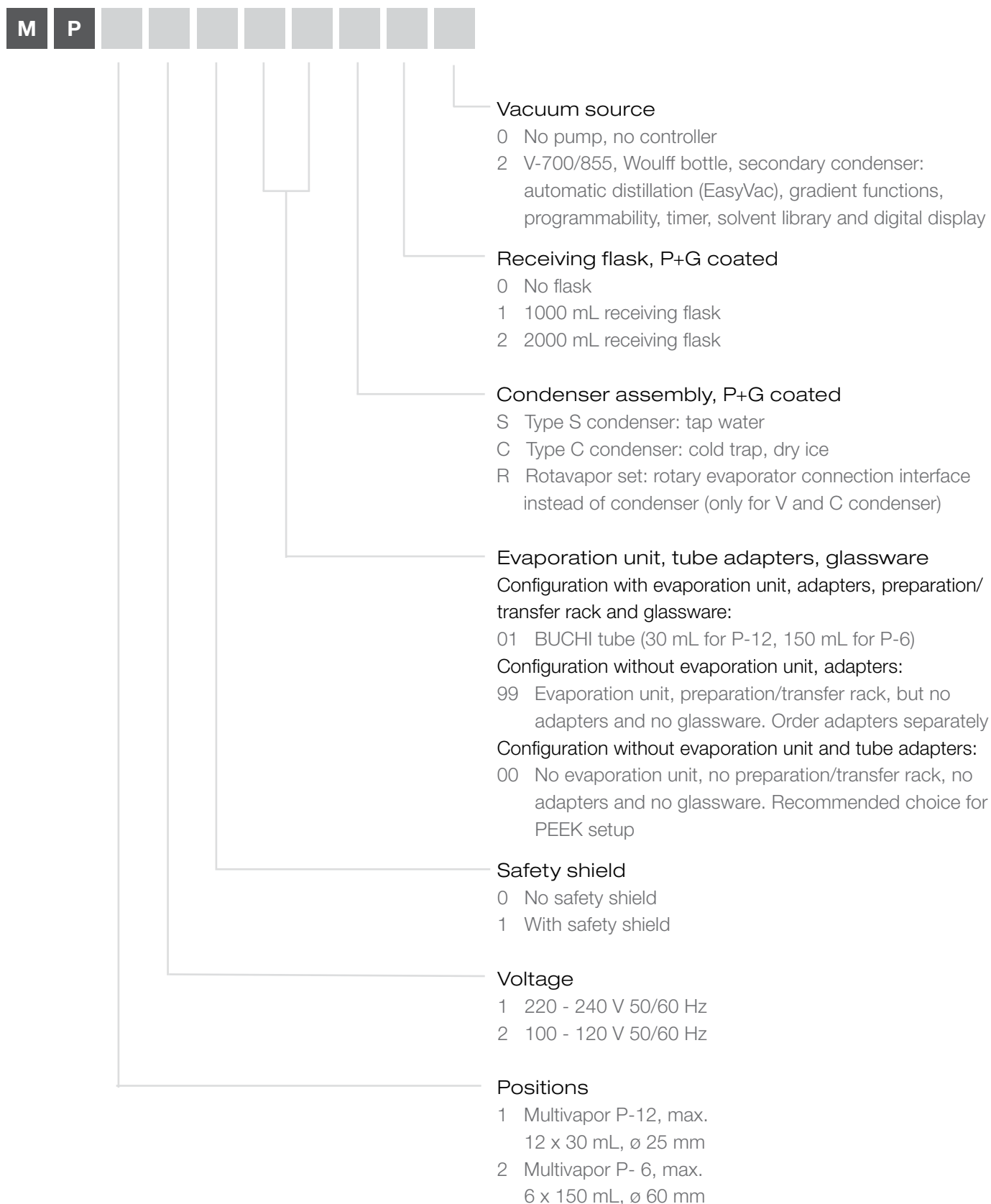
Multivapor™

Components	P-6	P-12	P-6 stand alone	P-12 stand alone
Crystal rack	P-6 removable	P-12 removable	P-6 removable	P-12 removable
Vacuum cover	P-6	P-12	P-6	P-12
Tubes and adapters	6*	12*	6*	12*
Transfer rack	P-6	P-12	P-6	P-12
Sample preparation rack	P-6	P-12	P-6	P-12
Condenser	-	-	S or C*	S or C*
Rotavapor connection	1	1	-	-
Safety shield	1	1	1	1
Vacuum system	*	*	*	*

* according order code

Order Code

With the ordering matrix every individual configuration including the vacuum pump and controller can be compiled into a bundle. All glass parts – except the sample vessels – are Plastic+Glas coated to provide maximum safety.



Dimensions and weight

	Dimensions (W x H x D)	Weight
Multivapor™	270 x 400 x 400 mm	22 kg

Technical Data

	100 - 120 V ±10 %	220 - 240 V ±10 %
Frequency	50/60 Hz	
Power consumption	max. 800 W	
Ambient temperature	5 °C - 40 °C	
Maximum relative humidity	80 % for temperatures up to 30 °C	
Temperature control range	20 °C to 95 °C	
Temperature accuracy	±3 °C (instrument calibrated at 20 °C)	
Rotational speed	0 - 370 rpm (P-6), 0 - 485 rpm (P-12)	
IP	21	

Accessories

	Order number
Safety shield	048784
Evaporation unit P-6	11058090
Evaporation unit P-6, PEEK	11058091
Evaporation unit P-12	11058092
Evaporation unit P-12, PEEK	11058093
Crystal rack P-6	11057500
Crystal rack P-12	11057505
Vacuum cover P-6	049773
Vacuum cover P-6, PEEK	049710
Vacuum cover P-12	049615
Vacuum cover P-12, PEEK	048845
Blind adapter for P-6, 1 pc.	11055811
Blind adapter for P-12, 1 pc.	11055812
Sample preparation rack P-6	049783

	Order number
Sample preparation rack P-12	049755
Transfer rack P-6	049250
Transfer rack P-6 for P-12 adapter	11055146
Transfer rack P-12	049251
Set Rotavapor connection	048740
Condenser unit 1000 mL, type S	048889
Condenser unit 2000 mL, type S	048890
Condenser unit 1000 mL, type C	048887
Condenser unit 2000 mL, type C	048888
Woulff bottle set	11057282

Functional principle

The Multivapor™ provides functions like shaking, heating and a horizontal orbital movement. Shaking produces a strong vortex in the sample tube to prevent bumping during operation.

A flexible sealing system with a series of specific adapters covers a broad range of common glassware.