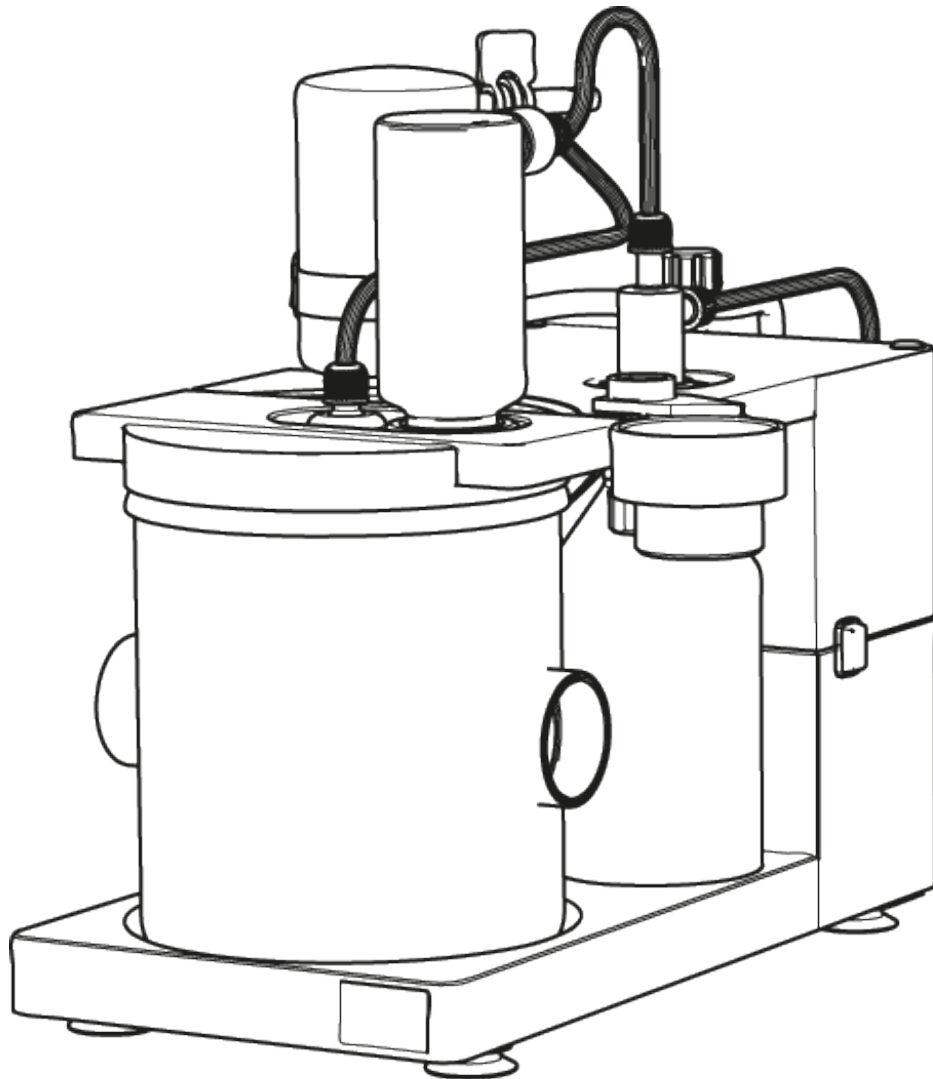




Scrubber K-415 Technical Data Sheet

The Scrubber^{ECO} models protect the environment not just by neutralizing the poisonous fumes but also by using just as much tap water as necessary by means of the automatic cooling water control. Each Scrubber is modularly extendable to a QuadScrub^{ECO} model.



Scope of delivery

All Scrubber models are delivered ready to use and are complete of:

Components	Qty	DuoScrub	TripleScrub	TripleScrub ^{ECO}	QuadScrub ^{ECO}
Condensation step			●	●	●
Neutralization step		●	●	●	●
Adsorption step		●	●	●	●
Reaction step					●
Cooling water control				●	●
Tray for adsorption storage			●	●	●
Silicone hose for cooling water	3 m		●	●	●
Hose for water control	1			●	●
Adapter with sieve for tap	1			●	●
Multi-tool	1			●	●
Connection cable to digester	1			●	●

Order code

Choose the configuration according to your needs:



Supply voltage

10	100 V ±10 %	50/60 Hz
12	120 V ±10 %	50/60 Hz
23	230 V ±10 %	50/60 Hz

Cooling water control (^{ECO} model)

0	no
1	yes

Glass setup / cleaning steps

2	neutralization & adsorption
3	condensation, neutralization & adsorption
4	condensation, neutralization, adsorption & reaction

Dimensions and weight

	Dimensions (WxHxD)	Weight
DuoScrub	248 x 412 x 526 mm	10.1 kg
TripleScrub	347 x 417 x 526 mm	11.2 kg
TripleScrub ^{ECO}	347 x 417 x 543 mm	12.3 kg
QuadScrub ^{ECO}	347 x 450 x 543 mm	12.9 kg

Technical data

	230 V ± 10 %	120 V ± 10 %	100 V ± 10 %
Current consumption	1 A	2 A	2 A
Frequency	50/60 Hz	50/60 Hz	50/60 Hz
Power consumption	140 W	140 W	140 W
Pump suction capacity	32 L/min	32 L/min	32 L/min
System suction capacity (adjustable) *	100 - 400 mbar	100 - 400 mbar	100 - 400 mbar
Degree of protection	IP20	IP20	IP20
Overvoltage category	II	II	II
Pollution degree	2	2	2

* below atmospheric pressure

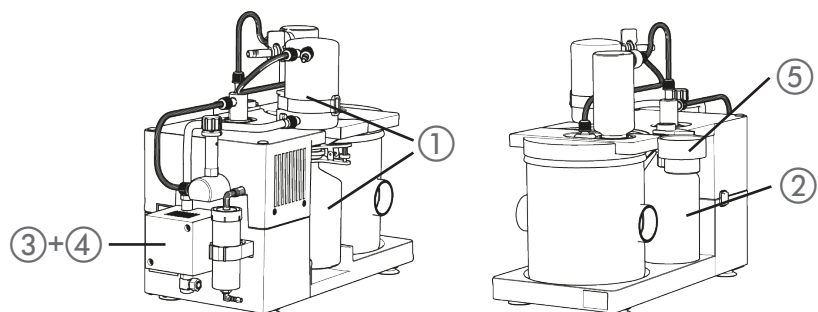
Accessories

The following sets contain all parts required for the appropriate upgrade:

Upgrade	Order number
① Condensation step (for DuoScrub)	11058460
② Reaction step (for DuoScrub & TripleScrub)	11058461
③ Cooling water valve (for 230 V models)	11058462
④ Cooling water valve (for 100 or 120 V models)	11058673
⑤ Tray for adsorption storage (for DuoScrub)	11057332

Optional parts	Order number
TKN Set *	11057333
Multi-Tool (for ECO models)	11058474
Connection cable to digester	030973
Initial IQ/OQ set (en)	11058568
Repeating OQ (en)	11058569
Condensate bottle (secondary)	025100

* easy collection and drain of condensate



Functional principle

The aggressive acid or alkali fumes are sucked off by means of the powerful pump into the first stage for precondensation to avoid dilution of the second stage. The output from the condensation stage is neutralized in the neutralization vessel. The third stage then collects particles of organic and inorganic substances. The fourth stage is for specific reactions such as reduction or oxidation (e.g. for aqua regia digestion).

