

# Heating bath circulators

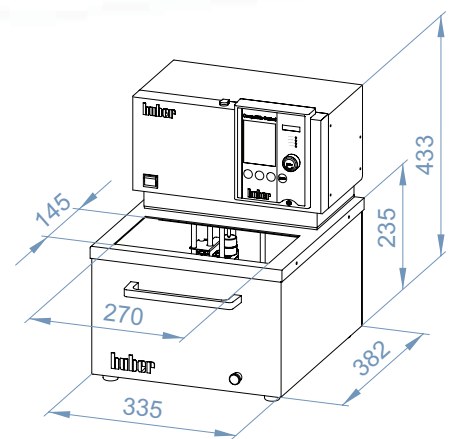
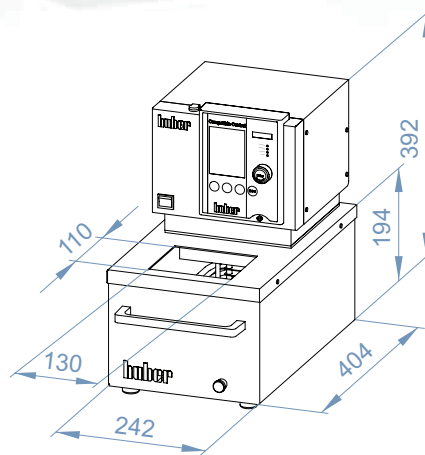
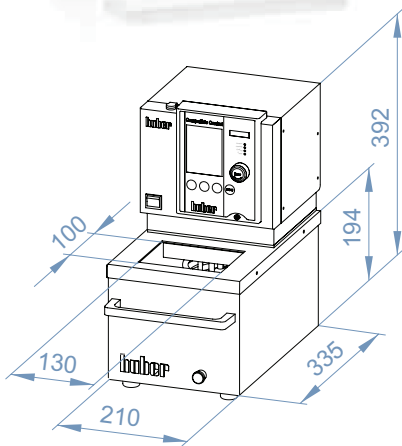
For temperatures up to 300 °C, these extremely compact models have the smoothly controllable "vpc" pressure suction pump. The pump pressure can be controlled from the user-menu, using an optional pressure sensor, protecting your glassware or other delicate apparatus from breakage.



| CC®-304B |

| CC®-308B |

| CC®-315B |



Model	Temperature Range (°C)	Bath Volume (ltr)	Bath Depth (mm)	Heating Power (kW)	Temperature Stability to DIN 12876 (K)	Pump Data				Cat.No.	G	Price
						max. Pressure (l/min)	(bar)	max. Suction (l/min)	(bar)			
CC®-304B	(-20)28...300	5,0	155	2,0	0,02	33	0,7	22	0,4	2005.0001.04	1	
CC®-308B	(-20)28...300	8,5/5,2*	155	3,0	0,02	33	0,7	22	0,4	2006.0001.04	1	
CC®-315B	(-20)28...300	15/8,5*	200	3,0/4,0	0,02	33	0,7	22	0,4	2007.0001.04	1	

\* with displacement insert