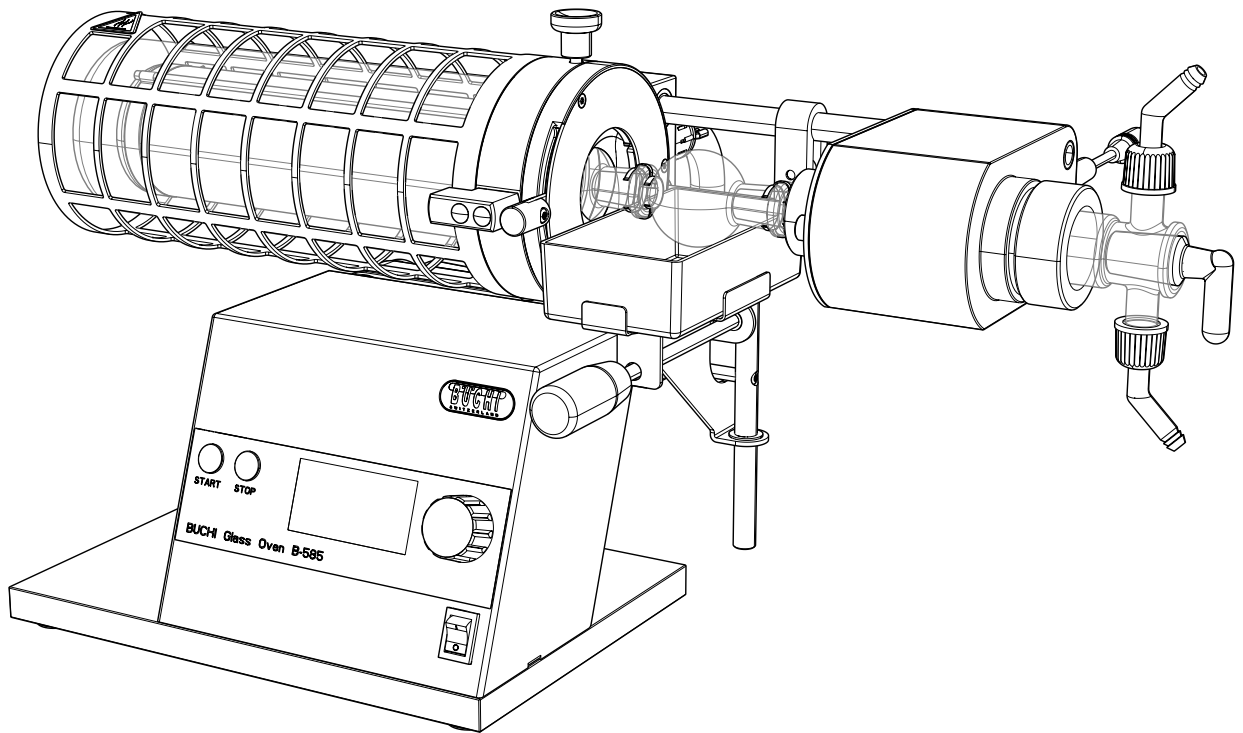




Glass Oven B-585

Technical Data Sheet

With the unique electrically conductive glass tube coating, the Glass Oven B-585 offers visibility of your sample at any time. The whole length of the oven tube heats up to a maximum of 300 °C. Signs of thermal degradation are easily visible as the process can be seen at any time.



Scope of Delivery

The Glass Oven B-585 is available in two different versions. Either as “Drying” or “Kugelrohr” version.

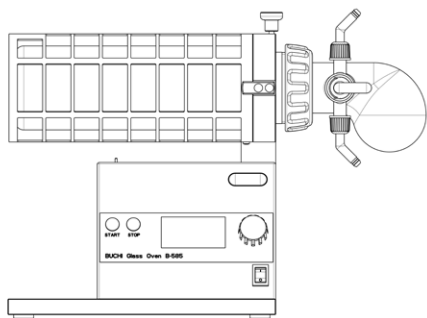
Components	Qty
Glass Oven B-585 main unit	1
Drying option or Kugelrohr option (depends on the ordered version)	1
Power cord	1
Instruction manual	1

Order Code

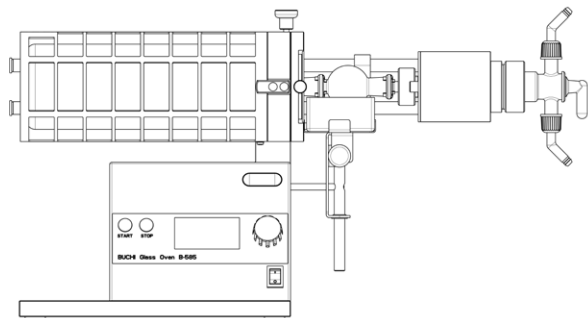
Choose the configuration according to your needs:

4 6 6 0 0 Glass Oven B-585 Drying

4 6 6 0 1 Glass Oven B-585 Kugelrohr



Glass Oven B-585 Drying



Glass Oven B-585 Kugelrohr

Dimensions and Weight

	Dimensions (W x H x D)	Weight
B-585 Drying	410 x 300 x 300 mm	9.5 kg
B-585 Kugelrohr	650 x 300 x 300 mm	11.5 kg

Technical Data

	B-585 Drying	B-585 Kugelrohr
Drying volume	100 - 250 mL	5 - 40 mL
Adjustable angle	-	0 - 90 °
Rotation speed	-	0 - 50 rpm
Voltage	100 V - 230 V +/- 15%	
Frequency	50-60 Hz	
Power consumption	max. 450 W	
Warm-up time to 300 °C	approx. 10 min. (more if undervoltage)	
Temperature regulation range	40 - 300 °C	
Temperature precision	+/- 5 °C (in the center of the oven at 300 °C)	
Temperature display	steps of 1 °C or °F	
Programmable gradient steps	3	
Available languages of the program	EN, ES, DE, IT, FR, JA	
Vacuum pump connection (ON/OFF)	Yes	
CSA	Yes	
CE	Yes	

Accessories

	Order number	Picture
Drying accessory For a sample volume of 100 to 250 mL	037010	①
Sublimation accessory To use the B-585 for sublimations	037133	②
Freeze drying accessory This accessory also needs a condenser or cold trap	046710	③
Condenser with receiving flask for freeze drying accessory	046711	
Cold trap with receiving flask for freeze drying accessory	046712	
Rotation drying flask Complete with NS 24/29 for drying solid substances up to 30 mL	037143	④
Ball tube with 2 balls Complete with NS 14.5/23 for 40 mL	037117	⑤
Ball tube with 3 balls Complete with NS 14.5/23 for 20 mL	037107	⑥
Ball tube with 4 balls Complete with NS 14.5/23 for 10 mL	037118	⑦

	Order number	Picture
Cooling device	037152	
Vacuum Pump V-700 Completely enclosed, quiet chemically resistant PTFE diaphragm pump.	071000	
Communication cable For connection to the V-700 to the Glass Oven B-585	038010	
Vacuum Pump V-700 advanced Completely enclosed, quiet chemically resistant PTFE diaphragm pump. Including Vacuum Controller V-850	071210	

Pictures of accessories

